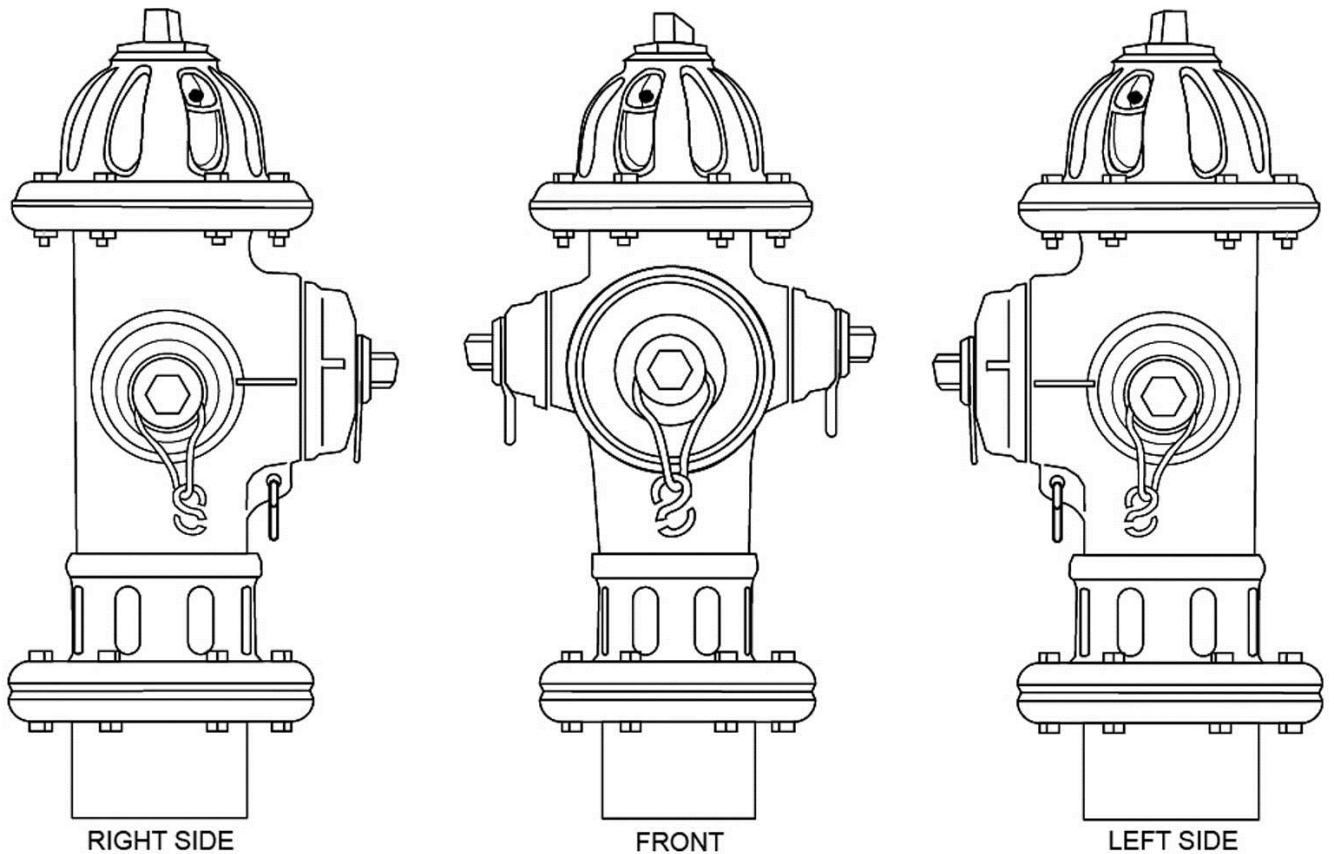


Please include a complete color proposal of your design using the template form. (Required)



Application form may be submitted and postmarked by mail on or before May 1, 2015 to:

Marlboro Area Arts Council

Fire Hydrant Contest

P.O Box 765

Bennettsville, SC 29512

For questions, please email: Phyllis Hubbard [Marlboro.arts@yahoo.com](mailto:Marlboro.arts@yahoo.com) or call the office at 843-479-6982